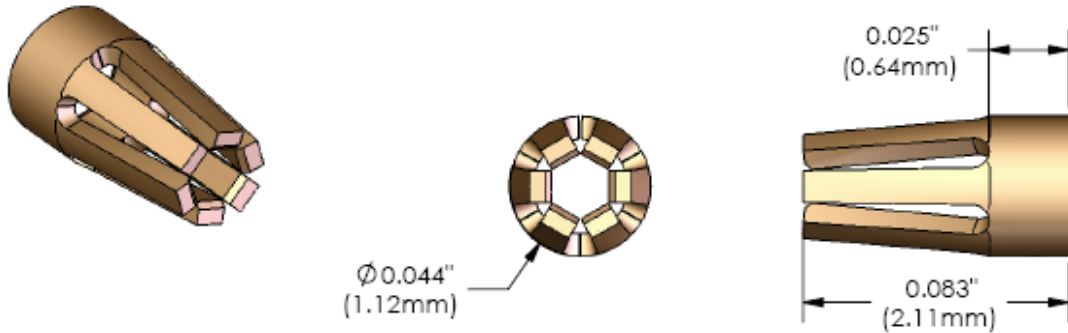


801 SERIES

SIX FINGER CONTACT CLIPS



TECHNICAL PRODUCT DATA

WEISS-AUG PART NUMBER	CLIP TYPE	TEST PIN DIAMETER	OPERATING RANGE PIN DIAMETER	MAXIMUM INSERTION FORCE	MINIMUM WITHDRAWAL FORCE	MATERIAL
1-2-3001-80101	801	0.018" (0.457mm)	0.016" - 0.026" (0.41mm - 0.66mm)	80g	30g	C17200
1-2-3001-80102	801L	0.018" (0.457mm)	0.016" - 0.026" (0.41mm - 0.66mm)	50g	20g	C17200
1-2-3001-80104	801SL	0.018" (0.457mm)	0.018" - 0.026" (0.46mm - 0.66mm)	35g	15g	C17200
1-2-3001-80110	801UL	0.018" (0.457mm)	0.018" - 0.026" (0.46mm - 0.66mm)	15g	5g	C17200

NOTES:

1. ALL FORCE DATA RELATES TO UNPLATED CLIPS.
2. TESTS PERFORMED WITH POLISHED STEEL BULLET NOSE PINS.
3. ALL MANUFACTURED FROM BeCu ALLOY C17200 1/2 HARD MATERIAL, HEAT TREATED POST FORMING.

SUFFIX DEFINITIONS: "L" = LOW FORCE "SL" = SUPER LOW FORCE "UL" = ULTRA LOW FORCE "H" = HEAVY FORCE



WEISS-AUG

Precision Manufacturing by Innovative Design
Stamping, Insert Molding and Assembly

220 Merry Lane • East Hanover, NJ 07936 • USA
T. 973.887.7600 • F. 973.887.8109 • www.weiss-aug.com



QUALITY IS OUR BUSINESS

